



Jamie Hanlon
Enable Accessibility CIC
2 Pochin House
Pochin Drive
St Austell
Cornwall
PL25 3RX
www.enableaccessibility.org.uk
info@enableaccessibility.org.uk
07453977765

Hippocampe Beach and All-Terrain Wheelchair



**Legal Documentation
Must Read**

Legal and safety information

Safety precautions and precautions for use

1. It is important to follow the recommendations and advice given in this document strictly.
2. Before using the wheelchair, ensure that the wheels and the push bar are locked in by pressing on each clip and checking that the pins protrude at the connecting parts.
3. Check that all the buckles of the harness and waist belt close correctly. The straps should be reasonably tightened, and the buckle is closed. **(If applicable)**.
4. It is imperative that the accompanying person with the ability to guide, push and hold the wheelchair is present for each use of the wheelchair.
5. For safety reasons, the user must be seated towards the back of the seat, with their back resting against the backrest.
6. Check that the user's hands and feet are in the correct position during use (if you can attach the protection nets if necessary). **(If applicable)**.
7. The Hippocampe wheelchair must only be used under adult supervision if the user is a child.
8. The Hippocampe wheelchair has been designed to seat a single person with a maximum weight of 130 kg – 20 stone.
9. If your wheelchair does not have parking breaks, we recommend utmost caution during use, especially on slopes.
10. Utmost caution is required on slopes, and we recommend that the user is accompanied in this case.
11. Do not press too hard on the push bar when you want to lift the front of the wheel to turn.
12. Do not pass over obstacles higher than 10 cm (100 mm) with the Hippocampe wheelchair.
13. Do not pass under obstacles with the Hippocampe wheelchair.
14. For safety reasons, do not use the Hippocampe wheelchair if the slope is steeper than 15%.
15. Do not stand on the wheelchair or on the footrest.

16. Do not modify the Hippocampe wheelchair in any way and never use components other than those provided by Vipamat. The wheelchair should not be used if one of the components is faulty.
17. The seat and the backrest of the wheelchair comply with M1 standards. However, the product must be kept away from fire or open flames.
18. To avoid all risks of injury of friction burns, it is not advised to break using your hands when the wheelchair is on a slope.
19. It is not advised to use the wheelchair if the tire is burst or flat.
20. In the case of any doubt about the safe use of the Hippocampe wheelchair, do not further use the wheelchair until you have contacted Enable Accessibility CIC's customer service by telephone (07453977765) or by email (info@enableaccessibility.org.uk).

Precautions for use at the beach and in the water:

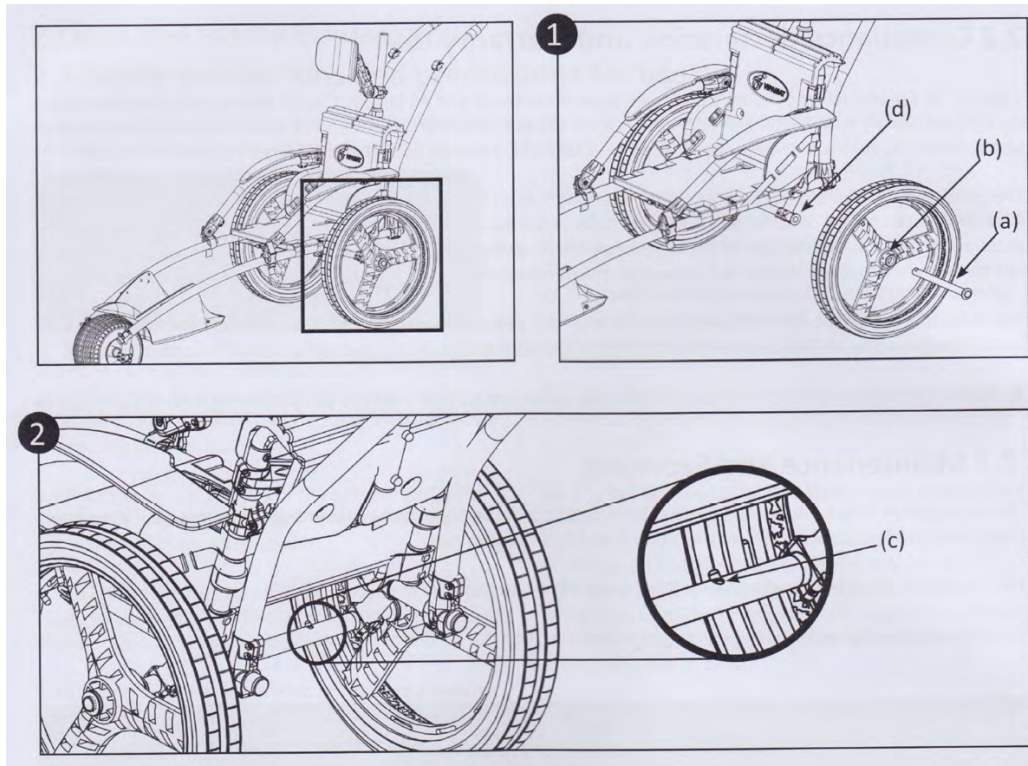
21. The Hippocampe wheelchair enables the user to enter water up to the **seat level** and stay in the water. It is not designed to **float** with the user in it. The wheelchair cannot be considered as a watercraft.
22. The user must always be **accompanied by an adult** on entering and leaving the water and whilst in the water.
23. The buoyancy of the front wheel may unbalance and push you backwards when entering the water. It is advised in this case to lean slightly forward.
24. The wheelchair must always be used in **supervised water**. I.e. Lifeguarded beaches.
25. It is compulsory to wear a life jacket in the water. If a life jacket is not worn, it's left at the clients/adult's responsibility if anything goes wrong.
26. **If you use a harness when entering the water and while bathing, extra supervision is necessary.**

The wheelchair user must always be accompanied when in the water. Watch out for the rising tide and for waves along the shoreline.

The Hippocampe wheelchair must be systematically rinsed after use in the sea. Without this regular maintenance, salt deposits could damage the structure.

The Hippocampe must be stored in a safe/secure location after use, either stowed back in its bag after cleaning and drying or left fully assembled.

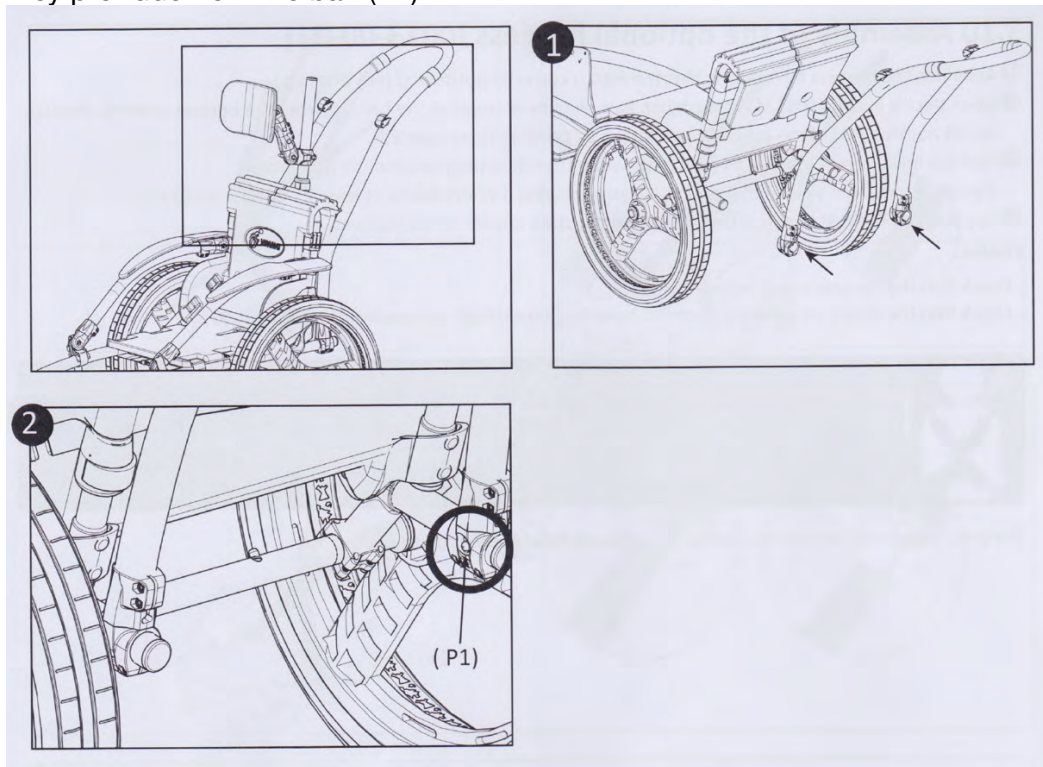
Before using the wheelchair, ensure that the wheels and the push bar are locked in by pressing on each clip and checking that the pins protrude at the connecting parts.



1, insert the 2 brackets of the push bar into the frame tubes as far as the pins.

2, Press the 2 pins simultaneously so as to insert the push bar. The two pins should protrude.

Checks: Check that the push bar is locked by pressing on the pins and by checking that they protrude from the bar. (P1)



3 Assembly of the Hippocampe wheelchair

3.1 Assembly of the double wheels (0009-00-02)

- 1 Insert the half axle (a) into the hub (b) by pressing on the clip (c), then insert it into the frame axle (d).
- 2 Turn the half axle in the wheel to make sure the clip protrudes (c) from the frame axle.

Checks:

- Check that the half axles of the double wheels are secured by pressing on the clip (c) and by ensuring that it protrudes from the frame axle.



Inflate the double wheels at 0.5 bars for soft sand and at 1.5 bars for hard terrain.

The serial number of the double wheels is engraved on the half axle of the wheels.



QR Code :

The tutorial for the assembly of this option is available in video on Youtube.

Tutorial name :

TUTO #6 : Pair of wheels- Paire de roues

